

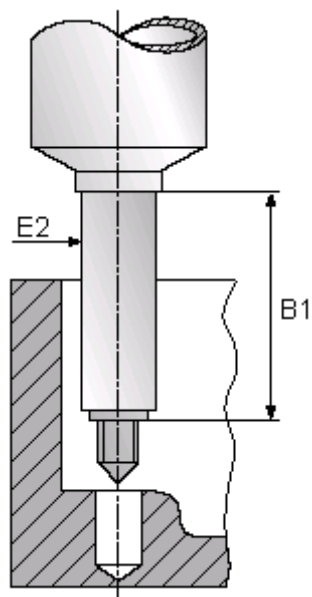
Data Sheet



Article number: 12621000025000

Description: Industrial tool 621 000 025.000
For M2,5

Measures



B1 = 40

E2 = 7

For thread = M2,5